

SALIENT FEATURES :

- Wafer type design, thus taking lesser space than the conventional check valve.
- Being light in weight, is more rigid than the standard swing type check valve which otherwise needs expensive foundation & special supports.
- Being cylindrical in body, stresses are uniformly distributed.
- Can be installed in Vertical or Horizontal pipe lines.
- Much longer seat life because of Bronze/ S.S to Rubber contact.
- Low wear and tear of seat surfaces.
- End connections are designed to suit flanges drilled to ANSI B Class-125/ Class-150.

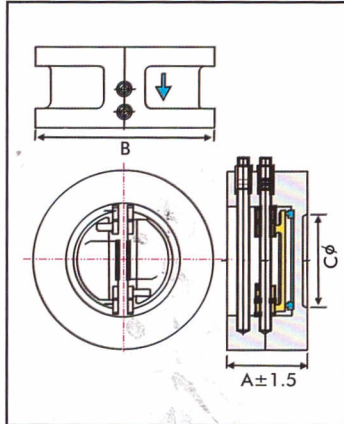
ZOLOTO® CAST IRON DUAL PLATE WAFER TYPE CHECK VALVE



Art. No.
1082

SUITABLE FOR

Steam	Water	Oil	Air	Gases
	◆			



MATERIALS :

Name of Part	Material	Specification
Body	Cast Iron	IS 210 Gr. FG 200
Flap	Bronze/ S.S	IS 318 Gr. LTB 2/ AISI 304
Pin, Washer & Spring	Stainless Steel	AISI 316/ 304
Body Ring	EPDM/ Nitrile Rubber	IS 5192-1
Retainer Hook	Carbon Steel	IS 1871

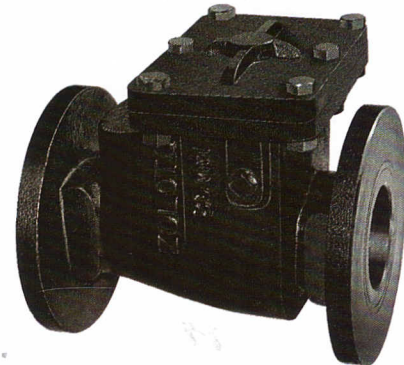
SIZE:		DIMENSIONS:		
Inches	mm	A	B	C
1½	40	50	92	50
2	50	54	101	50
2½	65	54	120	65
3	80	57	133	80
4	100	64	171	100
5	125	70	193	125
6	150	76	218	150
8	200	95	276	200
10	250	108	336	250
12	300	143	406	300
14	350	184	451	350
16	400	191	514	400

Test Pressure (Hydraulic) Shell : 24.50kg/cm²(350psig) Seat : 14kg/cm²(200psig) Working Temperature : -18°C to 80°C

SALIENT FEATURES :

- Design Standard IS 5312-1 1984.
- Flanged Ends to IS 1538.
- Swing type seating.
- Bolted cover.
- Renewable seat with Rubber flap.

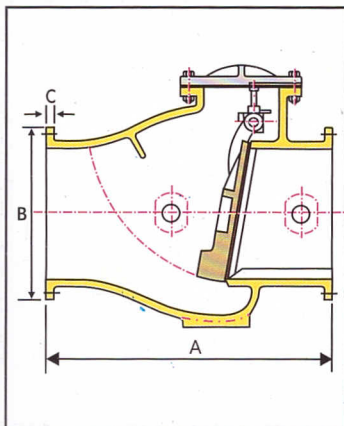
ZOLOTO® CAST IRON NON RETURN VALVE (Flanged)



Art. No.
1083

SUITABLE FOR

Steam	Water	Oil	Air	Gases
	◆			



MATERIALS :

Name of Part	Material	Specification
Body, Bonnet & Disc	Cast Iron	IS 210 Gr. FG 200
Hinge	Cast Iron	IS 210 Gr. FG 200
Body Ring	Bronze	IS 318 Gr. LTB 2
Hinge Pin	S.S/ Brass	AISI 410/ IS 6912 Gr. FLB
Gasket & Seat	Rubber	IS 638-2
Bolt, Nut & Plug	Carbon Steel	IS 1367

SIZE:		DIMENSIONS:		
Inches	mm	A	B	C
2	50	203±2	165	16
2½	65	216±2	185	16
3	80	241±2	200	21
4	100	292±2	220	22
5	125	330±2	250	22.5
6	150	356±2	285	23
8	200	495±2	340	24.5
10	250	622±2	395	26
12	300	698±3	445	27.5

PN10 - Shell Test Pressure (Hydraulic) 1.5MPa Seat Test Pressure (Hydraulic) 1.0MPa

PN16 - Shell Test Pressure (Hydraulic) 2.4MPa Seat Test Pressure (Hydraulic) 1.6MPa