

### SALIENT FEATURES :

- Design Standard IS 5290.
- Screwed in bonnet having instantaneous coupling with single outlet.
- PTFE gland packing for longer life and smooth operation.
- Large flow way area to get full flow of water.
- Conforming to Type-A, specification.

## ZOLOTO® BRONZE LANDING (FIRE HYDRANT) VALVE (Flanged)



Art. No.  
**1093**

#### SUITABLE FOR

Steam	Water	Oil	Air	Gases
	◆			

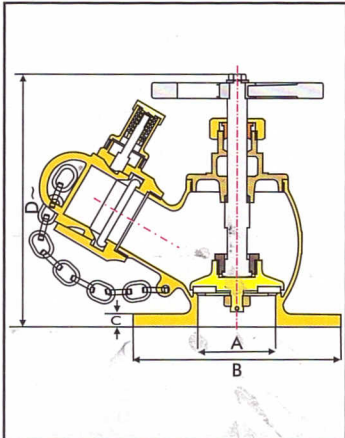
#### MATERIALS :

Name of Part	Material	Specification
Body, Bonnet & Disc Nut	Bronze	IS 318 Gr. FG 200
Bolt, Washer & Chain	Carbon Steel	IS 1367
Gland, Gland Nut & Disc Holder	Bronze	IS 318 Gr. LTB 2
Stem, Nut & Cam Tooth	Brass	IS 319
Hand wheel	Cast Iron	IS 210 Gr. FG 200
Packing	PTFE	BS EN 12086
Disc & Washer	Rubber	IS 937
Cam Housing, Cap & Adjusting Ring	Bronze	IS 318 Gr. LTB 2
Instantaneous Coupling	Bronze	IS 318 Gr. LTB 2
Spring	Phosphorous Bronze	IS 7608
Blank Cap	Aluminium/ PVC	---/ IS 15225

#### SIZE:

#### DIMENSIONS:

Inches	mm	A	B	C	D
3"	80	75	200	12	240



Test Pressure (Hydraulic) Shell : 21kg/cm<sup>2</sup>g (300psig) Seat : 14kg/cm<sup>2</sup>g (200psig)

### SALIENT FEATURES :

- Screwed Male end to IS 554/ BS 21/ ISO 7.
- Open discharge Type.
- Metal to metal contact seating.
- Polished body.

Valve with enclosed discharge is also available.

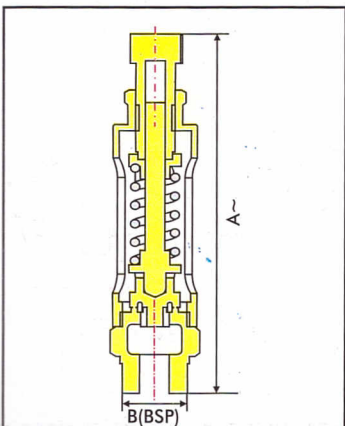
## ZOLOTO® BRONZE SPRING LOADED SAFETY RELIEF VALVE (Screwed)



Art. No.  
**1094**

#### SUITABLE FOR

Steam	Water	Oil	Air	Gases
	◆	◆	◆	



#### MATERIALS :

Name of Part	Material	Specification
Adjusting Screw	Bronze	IS 318 Gr. LTB 2
Check Nut	Bronze	IS 318 Gr. LTB 2
Chamber	Bronze	IS 318 Gr. LTB 2
Upper Spring Guide	Bronze	IS 318 Gr. LTB 2
Spring	Spring Steel Chrome Plated	EN 47 Gr. B
Stem	Forged Brass	IS 6912 Gr. FLB
Disc	Bronze	IS 318 Gr. LTB 2
Body	Bronze	IS 318 Gr. LTB 2

#### SIZE:

#### DIMENSIONS:

Inches	mm	A	B
1/2	15	140	1/2"
3/4	20	160	3/4"
1	25	168	1"
1 1/4	32	170	1 1/4"
1 1/2	40	200	1 1/2"
2	50	240	2"

Test Pressure (Hydraulic) Shell : 21.10kg/cm<sup>2</sup>g (300psig) Seat : 10.55kg/cm<sup>2</sup>g (150psig) Set Pressure Range : 0-10kg/cm<sup>2</sup>g (Max.)